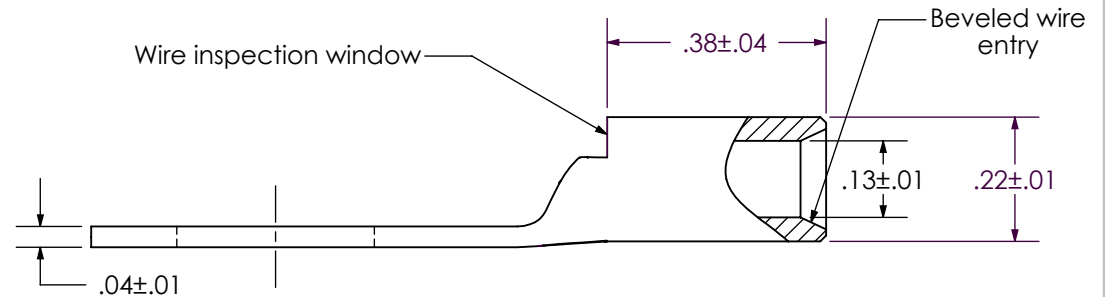
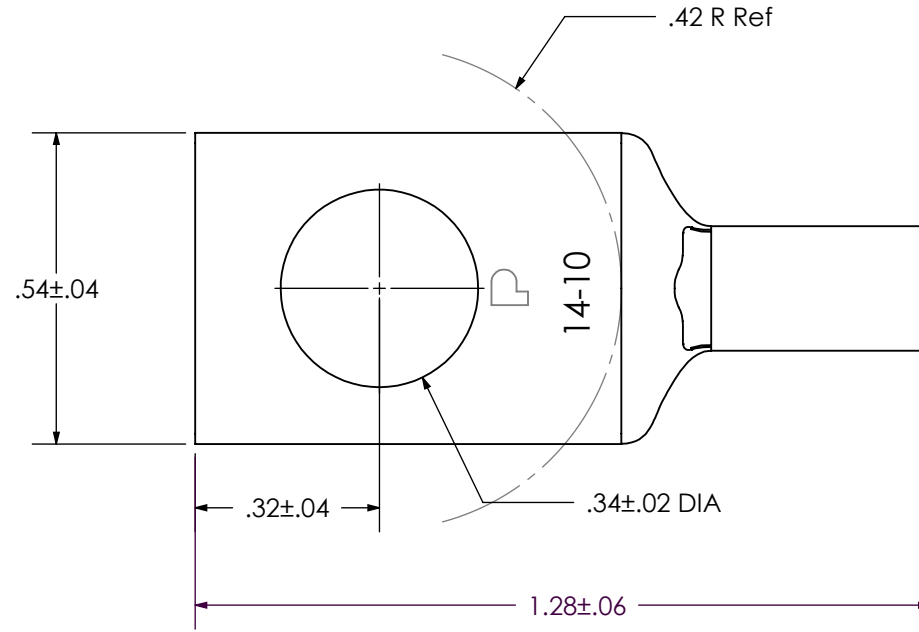


THIS COPY IS PROVIDED ON A RESTRICTED BASIS AND IS NOT TO BE USED IN ANY WAY DETRIMENTAL TO THE INTERESTS OF PANDUIT CORP.

Material	High Conductivity Seamless Copper Tube
Plating	Electro-Tin
Wire Size	14 - 10 AWG STR, 12 - 10 AWG SOL
Wire Type	Stranded Copper; Class B: Compact, Compressed or Concentric, Class C: Concentric
Wire Strip Length	7/16 in.
Stud Size	5/16 in.
UL Listed Wire Connector	Yes, for applications up to 35kv. Consult cable manufacturer for voltage stress relief instructions with applications greater than 2000 volts.
UL Temperature Rating	90° C
C.S.A Certified Wire Connector	Yes
Panduit Color Code on Barrel	N/A
Panduit Die Index No. on Barrel	N/A
Alternate Industry Die Index No. () on Barrel	N/A



REV	DATE	BY	CHK	DESCRIPTION	ECN
02	11/04	JHNU	JHNU	REVISED WIRE SIZE	12305

PANDUIT CORP. TINLEY PARK, ILLINOIS

LCA10-56-L
Copper Lug - One-Hole, Standard Barrel

SCALE N/A

DRAWING NO / CAD FILE

LCA10-56-CUST